

1ST EDITION | 2025 - 2026



vision
trimline



WELCOME

The ability to control fire was a dramatic change in the development of humanity. Among many things it provided warmth, light and security. We believe this base connection still exists and is the reason why we still desire to use the fireplace as the central focal point of our living space.

The Vision Trimline range has been designed with the specific purpose of recreating that instinctive connectivity with nature.

Our innovative fires are skilfully engineered to allow a trimless aspect with no distracting frames or visible workings, just fire. These highly efficient beautifully designed appliances are available in a variety of different sizes and can be positioned in virtually any part of your home.

myfire® | MERTIK MAXITROL® | thermoCet

TL55XH	4 - 7
TL64	8 - 11
TL73H	12 - 17
TL83	18 - 23
TL100	24 - 29
TL120	30 - 35
TL120 ROOM DIVIDER	36 - 39
TL140	40 - 45
TL170H	46 - 49
GEMSTONE COLLECTION: TOURMALINE	52
GEMSTONE COLLECTION: OPAL	54
GEMSTONE COLLECTION: TOPAZ	56
TECHNOLOGY	58
INTERIOR STYLING & FUEL BED OPTIONS	60
FLUE SYSTEMS	62
DIMENSIONS	63 - 72

TL55XH



TL55XH

FRONT | TUNNEL

The Trimline 55XH Front and the 55XH Tunnel built-in fire is the first vertical model in the range and is 1.1 meters high. This appliance will certainly create a statement piece in any home. The standard version has a burner bed made of high definition logs and is equipped with a double burner. There is also an option to include a built-in LED bed to add even more ambiance.

WHAT'S INCLUDED:

- Burning Log Fuel Bed
- Lamel Interior
- Ecomax Remote Control
- Convection Vents
- Control Access Door
- Gas Control Box

OPTIONAL EXTRAS:

- Anti-reflective Glass
- Wifi Kit
- Remote Control Wall Mount
- Mains Adaptor

Fuel Bed Options:

- LED Glowing Fuel Bed

TECHNICAL INFO:

GAS TYPE	NG	LPG
HEAT INPUT (kW)	12.7	12.2
HEAT OUTPUT MAX (kW)	10.3	9.8
HEAT OUTPUT MIN (kW)	3.8	3.2
EFFICIENCY (%)*	81	80
FLUE SIZE (MM)	130/200	130/200
ERP RATING	C	C



TL55XH FRONT



TL55XH TUNNEL

TL64



TL64

FRONT | PANORAMIC | CORNER

Look no further than the TL64 which will fit perfectly with virtually all interiors. It can transform the smallest of living spaces into a modern contemporary space. The balanced flue gas fire incorporates the latest burning log technology. This innovative feature is so realistic it cannot be distinguished from a natural living fire. With the addition of the optional glowing fuel bed, it creates a beautiful warm ambience!

WHAT'S INCLUDED:

- Burning Log Fuel Bed
- Anthracite Steel Interior
- Double Burner
- Ecomax Remote Control
- Convection Vents
- Adjustable Legs
- Gas Control Box

OPTIONAL EXTRAS:

- Anti-Reflective Glass
- WiFi Kit
- Remote Control Wall Mount
- Mains Adaptor
- Wide Trims
- Wall Bracket

Fuel Bed Options:

- LED Glowing Fuel Bed

Interior Options:

- Black Glass
- Interior Grey Brick
- Reeded Panel

TECHNICAL INFO:

GAS TYPE	NG	LPG
HEAT INPUT (kW)	9.5	11.2
HEAT OUTPUT MAX (kW)	7.7	9.2
HEAT OUTPUT MIN (kW)	3.2	2.8
EFFICIENCY (%)*	82	82
FLUE SIZE (MM)	130/200	130/200
ERP RATING	B	B



TL64 PANORAMIC



TL64 FRONT

TL73H



TL73H FRONT

TL73H

FRONT | TUNNEL | ROOM DIVIDER

The TL73 Front allows you to create a minimalist look which will fit perfectly with virtually all interiors. The wide glass front allows unrestricted views of the beautiful flames.

WHAT'S INCLUDED:

- High Definition Logs
- Lamel Interior on TL73 model only
- Anthracite Steel Interior on TL73H, Room Divider and Tunnel models only
- Ecomax Remote Control
- Convection Vents
- Adjustable Legs
- Gas Control Box

OPTIONAL EXTRAS:

- Anti-Reflective Glass
- WiFi Kit
- Remote Control Wall Mount
- Mains Adaptor
- Wide Trims

Fuel Bed Options:

- Pebbles

Interior Options*:

**Available on TL73H models only*

- Black Glass
- Vermiculite
- Fire Brick

TECHNICAL INFO:

GAS TYPE	NG	LPG
HEAT INPUT (kW)	11.4	8.8
HEAT OUTPUT MAX (kW)	10.1	7.6
HEAT OUTPUT MIN (kW)	3.1	2.6
EFFICIENCY (%)*	89	86
FLUE SIZE (MM)	130/200	130/200
ERP RATING	A	B



TL73H FRONT



TL73H ROOM DIVIDER

TL73H FRONT



TL73H TUNNEL



TL73 ROOM DIVIDER



TL83



TL83

FRONT | PANORAMIC | CORNER | TUNNEL | ROOM DIVIDER

The stunning TL83 available in Front, Tunnel, Corner and Panoramic options. The TL83 incorporates the latest burning log technology. This innovative feature is so realistic it cannot be distinguished from a natural living fire. With the addition of the optional glowing fuel bed, it creates a beautiful warm ambience.

WHAT'S INCLUDED:

- Burning Log Fuel Bed
- Anthracite Steel Interior
- Double Burner
- Ecomax Remote Control
- Convection Vents
- Adjustable Legs
- Gas Control Box

OPTIONAL EXTRAS:

- Anti-Reflective Glass
- WiFi Kit
- Remote Control Wall Mount
- Mains Adaptor

Fuel Bed Options:

- LED Glowing Fuel Bed

Interior Options:

- Black Glass
- (not available on TL83 Tunnel)
- Interior Grey Brick (not available on TL83 Room Divider)
- Reeded Panel

TECHNICAL INFO:

GAS TYPE	NG	LPG
HEAT INPUT (kW)	11.5	11.9
HEAT OUTPUT MAX (kW)	9.4	9.8
HEAT OUTPUT MIN (kW)	2.6	2.6
EFFICIENCY (%)*	82	82
FLUE SIZE (MM)	130/200	130/200
ERP RATING	B	B



TL83 ROOM DIVIDER



TL83 TUNNEL



TL100



TL100 CORNER

TL100

FRONT | PANORAMIC | CORNER | TUNNEL

Create a stylish home with the TL100 appliance. It is one of four of the larger elegantly styled landscaped balanced flue gas fires in the Vision Trimline range. The TL100 is all about luxury and suits a wide range of interiors. The double burner creates a beautifully vibrant fire while minimising energy consumption.

WHAT'S INCLUDED:

- High Definition Logs
- Lamel Interior on Front, Panoramic, and Corner models only
- Anthracite Steel Interior on Tunnel models only
- Double Burner
- Ecomax Remote Control
- Convection Vents
- Adjustable Legs
- Gas Control Box

OPTIONAL EXTRAS:

- Anti-Reflective Glass
- WiFi Kit
- Remote Control Wall Mount
- Mains Adaptor
- Wide Trims

Fuel Bed Options:

- Pebbles
- Carrara
- Basalt

Interior Options*:

- **not available on the TL100 Tunnel model*
- Black Glass Panel

TECHNICAL INFO:

GAS TYPE	NG	LPG
HEAT INPUT (kW)	11.1	9.3
HEAT OUTPUT MAX (kW)	9.3	7.8
HEAT OUTPUT MIN (kW)	2.5	2.0
EFFICIENCY (%)*	84	84
FLUE SIZE (MM)	130/200	130/200
ERP RATING	B	B



TL100 PANORAMIC



TL100 TUNNEL



TL120



TL120

FRONT | PANORAMIC | CORNER | TUNNEL

The TL120 is one of four of the larger elegantly styled landscaped balanced flue gas fires in the Vision Trimline range which will fit seamlessly in a range of interiors. It is particularly suited to modern interior design styles. Liven up your home with a single press of a button. The standard version comes complete with high-definition logs and a lamel interior. On top of that, it comes with the Ecomax remote control and you have the options of adding Wi-Fi control with our Trimline Fires app.

WHAT'S INCLUDED:

- High Definition Logs
- Lamel Interior on Front, Panoramic, Corner models only
- Anthracite Steel Interior on Tunnel model only
- Double Burner
- Ecomax Remote Control
- Convection Vents
- Adjustable Legs
- Gas Control Box

OPTIONAL EXTRAS:

- Anti-Reflective Glass
- WiFi Kit
- Remote Control Wall Mount
- Mains Adaptor
- Wide Trims

Fuel Bed Options:

- Pebbles
- Carrara
- Basalt

Interior Options*:

**not available on the TL120 Tunnel model*

- Black Glass

TECHNICAL INFO:

GAS TYPE	NG	LPG
HEAT INPUT (kW)	11.3	9.8
HEAT OUTPUT MAX (kW)	9.5	8.3
HEAT OUTPUT MIN (kW)	2.5	2.0
EFFICIENCY (%)*	84	85
FLUE SIZE (MM)	130/200	130/200
ERP RATING	B	B



TL120 CORNER



TL120 PANORAMIC



TL120 ROOM DIVIDER



TL120 ROOM DIVIDER

TL120 ROOM DIVIDER

ROOM DIVIDER

Experience the grandeur of the TL120 - the largest room divider fire in our collection. Featuring cutting-edge burning log technology, the TL120 delivers an astonishingly lifelike flame effect that mirrors the warmth and charm of a real wood fire. Enhance the ambience further with the optional glowing fuel bed, creating a captivating focal point and a truly inviting atmosphere. Other options available in this size include Trimless, Corner, and Panoramic configurations, offering versatile design choices to suit any modern interior.

WHAT'S INCLUDED:

- Burning Log Fuel Bed
- Anthracite Steel Interior
- Double Burner
- Ecomax Remote Control
- Convection Vents
- Adjustable Legs
- Gas Control Box

OPTIONAL EXTRAS:

- Anti-Reflective Glass
- WiFi Kit
- Remote Control Wall Mount
- Mains Adaptor Fuel Bed Options:
- LED Glowing



TECHNICAL INFO:

GAS TYPE	NG	LPG
HEAT INPUT (kW)	13.0	13.48
HEAT OUTPUT MAX (kW)	10.45	10.44
HEAT OUTPUT MIN (kW)	4.14	4.78
EFFICIENCY (%)*	80%	77%
FLUE SIZE (MM)	130/200	130/200
ERP RATING	C	D



TL140



TL140

FRONT | PANORAMIC | CORNER | TUNNEL

Are you looking for an extra little something? Add a touch of elegance and luxury with the TL140. The standard version of this appliance comes with high-definition logs which creates beautifully vibrant flames while limiting the amount of heat generated. On top of that, it comes with the Ecomax remote control and you have the options of adding Wi-Fi-control with our Trimline Fires app.

WHAT'S INCLUDED:

- High Definition Logs
- Lamel Interior
- Double Burner
- Ecomax Remote Control
- Convection Vents
- Adjustable Legs
- Gas Control Box

OPTIONAL EXTRAS:

- Anti-Reflective Glass
- WiFi Kit
- Remote Control Wall Mount
- Mains Adaptor
- Wide Trims

Fuel Bed Options:

- Pebbles
- Carrara
- Basalt

Interior Options*:

**not available on the Tunnel model*

- Black Glass Panel

TECHNICAL INFO:

GAS TYPE	NG	LPG
HEAT INPUT (kW)	13.8	12.7
HEAT OUTPUT MAX (kW)	11.0	10.2
HEAT OUTPUT MIN (kW)	4.5	3.9
EFFICIENCY (%)*	80	81
FLUE SIZE (MM)	130/200	130/200
ERP RATING	B	B

TL140 FRONT



TL140 PANORAMIC





TL140 CORNER



TL140 TUNNEL

TL170H



TL170H FRONT

TL170H

TL170H FRONT

FRONT

The TL170/TL170H is one of four of the larger elegantly styled landscaped balanced flue gas fires in the Vision Trimline range. This gas fire will add a touch of elegance and sophistication to any room. Meticulous attention has been paid to the realisation of the fuel bed and flame patterns to ensure a perfect recreation of a natural living fire.

WHAT'S INCLUDED:

- High Definition Logs
- Double Burner
- Lamel Interior
- Ecomax Remote Control
- Convection Vents
- Adjustable Legs
- Gas Control Box

OPTIONAL EXTRAS:

- Anti-Reflective Glass
- WiFi Kit
- Remote Control Wall Mount
- Mains Adaptor
- Wide Trims

Fuel Bed Options:

- Pebbles
- Carrara
- Basalt

Interior Options:

- Black Glass Interior

TECHNICAL INFO:

GAS TYPE	NG	LPG
FIRE TYPE	TL170H	TL170H
HEAT INPUT (kW)	14.1	14.3
HEAT OUTPUT MAX (kW)	11.6	11.7
HEAT OUTPUT MIN (kW)	4.3	4.7
EFFICIENCY (%)*	82	82
FLUE SIZE (MM)	130/200	130/200
ERP RATING	B	B



GEMSTONE COLLECTION



TRIMLINE TOURMALINE

The Tourmaline is not just a fireplace. The panoramic view of the flames, the burning logs and the LED fuel bed bring you into an atmospheric environment. The Tourmaline has beautifully rounded corners. In combination with its smooth lines, it turns out to be a beautiful model that is a joy to the eye. You have the option of leaving the bottom of the fireplace open for stools. But you can also add a unique and stylish statement.

WHAT'S INCLUDED:

- Burning Log Fuel Bed
- Anthracite Steel Interior
- Double Burner
- Ecomax Remote Control

OPTIONAL EXTRAS:

- Anti-reflective Glass
- Wifi Kit
- Remote Control Wall Mount
- Mains Adaptor
- Wood Stool
- Fire Stool

Interior Options:

- Black Glass Interior
- LED Fuel Bed

TECHNICAL INFO:

GAS TYPE	NG	LPG
HEAT INPUT (kW)	6.8	6.5
HEAT OUTPUT MAX (kW)	5.3	5.2
HEAT OUTPUT MIN (kW)	3.7	3.8
EFFICIENCY (%)*	79	80
FLUE SIZE (MM)	100/150	100/150
ERP RATING	C	C



TRIMLINE OPAL

The Opal free-standing gas fire is a true statement piece. The rounded glass allows a 180° unrestricted view of the beautiful flames. The standard version has our Log Burner technology for an optimal flame experience, and an anthracite steel interior. On top of that, it comes with the Ecomax remote control and you have the options of adding wifi control with our Trimline Fires app.

WHAT'S INCLUDED:

- High Definition Logs
- Anthracite Steel Interior
- Double Burner
- Ecomax Remote Control

OPTIONAL EXTRAS:

- Anti-reflective Glass
- Wifi Kit
- Remote Wall Bracket

TECHNICAL INFO:

GAS TYPE	NG	LPG
HEAT INPUT (kW)	6.9	6.2
HEAT OUTPUT MAX (kW)	5.5	5.0
HEAT OUTPUT MIN (kW)	1.6	2.8
EFFICIENCY (%)*	79	84
FLUE SIZE (MM)	100/150	100/150
ERP RATING	C	B



TRIMLINE TOPAZ

The Topaz is not just a fireplace. This wall hanging appliance allows panoramic view of the flames, burning logs and LED fuel bed bringing you into an atmospheric environment. The Topaz has beautifully rounded corners and, in combination with its smooth lines, is a beautiful model that is a joy to the eye. The standard version of the Topaz has our log burner technology and a Anthracite Steel interior.

WHAT'S INCLUDED:

- Burning Log Fuel Bed
- Anthracite Steel Interior
- Double Burner
- Ecomax Remote Control

OPTIONAL EXTRAS:

- Wifi Kit
- Remote Control Wall Mount
- Mains Adaptor

Fuel Bed Options:

- LED Fuel Bed

TECHNICAL INFO:

GAS TYPE	NG	LPG
HEAT INPUT (kW)	6.8	6.5
HEAT OUTPUT MAX (kW)	5.3	5.2
HEAT OUTPUT MIN (kW)	3.7	3.8
EFFICIENCY (%)*	79	80
FLUE SIZE (MM)	100/150	100/150
ERP RATING	C	C



TECHNOLOGY

EVERYTHING YOU NEED IN ONE PACKAGE

Ecomax remote control

The sleek designed handset features a thermostatic control countdown timer to automatically turn off the fire, and an Ecomax button, allowing adjustment of the flames to regulate room temperature resulting in a 40% energy saving.

Adjustable legs

Allowing you to easily install the fire at your desired height without the need for further, unnecessary building work.

Control access door

A neat, gloss finish, access system to allow access to the manual fire controls.

Convection vents

Two of these are supplied with each fire to allow convected hot air from the chimney into your room.

DOUBLE BURNER (DB) FEATURE

With the exception of selected Gemstone models with burning logs, all other Vision Trimline fires are equipped with an innovative double burner system. This clever feature staggers the flame pattern in two rows and gives an extra sense of depth and realism whilst offering a more economical way to use your fire. At the touch of a button the front burner row remains active whilst the rear burner row diminishes, giving unparalleled visual effect with a reduction of 40% of the heat output. Used in combination with the Ecomax remote control can result in the benefit of reduced running costs of up to 60%.

GO WI-FI FOR MAXIMUM CONTROL

Introducing the latest optional upgrade option for Vision Trimline fires, the Myfire app uses wireless technology that connects the fire to your home Wi-Fi network. You can now take control using your smartphone or tablet with features such as:

- Temperature adjustment and thermostatic control
- Flame pattern adjustment and animated wave profiles
- Individual user profiles
- Countdown timer
- Weekly programming

ANTI-REFLECTIVE GLASS

Anti-reflective glass (ARG) which is available on many Vision Trimline models is a premium feature that allows you to maximise your experience of the beautiful flames giving the appearance of an open fire whilst having the convenience of a gas appliance. This clever feature gives the illusion that there is no glass between the fire and you, creating an even more authentic experience.

BURNING LOGS TECHNOLOGY

Available on TL55, TL64, TL83, and selected Gemstone models, the burning logs technology recreate the most authentic, realistic looking flame ever. Combined with high definition, ultra realistic ceramic logs, this innovative feature creates a fire so realistic it cannot be distinguished from a natural, living fire. For the ultimate in warm ambiance, the optional LED glowing fuel bed creates a subtle, relaxing impression of gently burning embers.



INTERIOR STYLING & FUEL BED OPTIONS

For that extra WOW factor, why not choose to upgrade to a black mirrored glass lining for your fire chamber and add a reflection to the fuel bed and flames to give a remarkable effect of added depth and detail. If burning logs is not the look you are going for, then perhaps you would be more interested in an alternative fuel bed for your fire. The collection features a range of stunning options to choose from.

LAMEL INTERIOR



BLACK GROOVE INTERIOR



VERMICULITE INTERIOR



INTERIOR GREY BRICK



BLACK GLASS INTERIOR



REEDED PANEL



FIRE BRICK INTERIOR



HIGH DEFINITION LOG SETS



WHITE PEBBLES



CARRARA STONES



BASALT



FLUE SYSTEMS

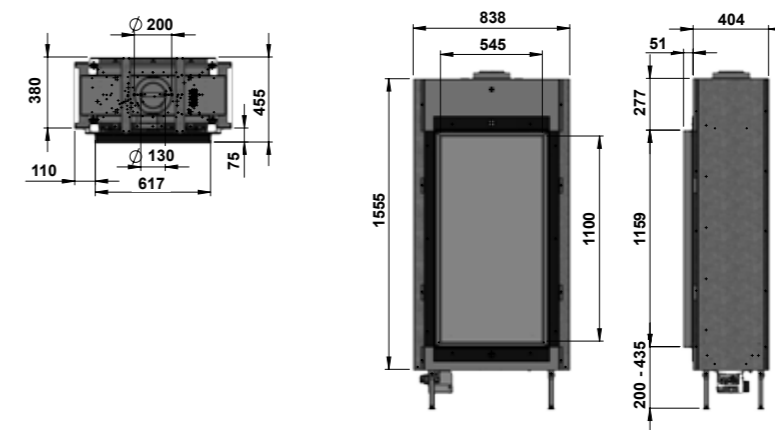
All Vision Trimline fires (excluding the TL60CF) use a specialised double wall concentric flue system. The Holetherm system is an obligatory and integral part of the complete combustion system and must be used when installing the fire. Concentric flue is made of high quality 0.5mm thick stainless steel AISI 316 inner and AISI 304 outer-liner.

A wide range of flue/chimney components allows for easy installation when terminating through the wall or the roof in an existing chimney or a dedicated fabrication. Please consult your nearest dealer for more details. The Holetherm system is approved according to CE in combination with all Vision Trimline balanced flue gas fires.

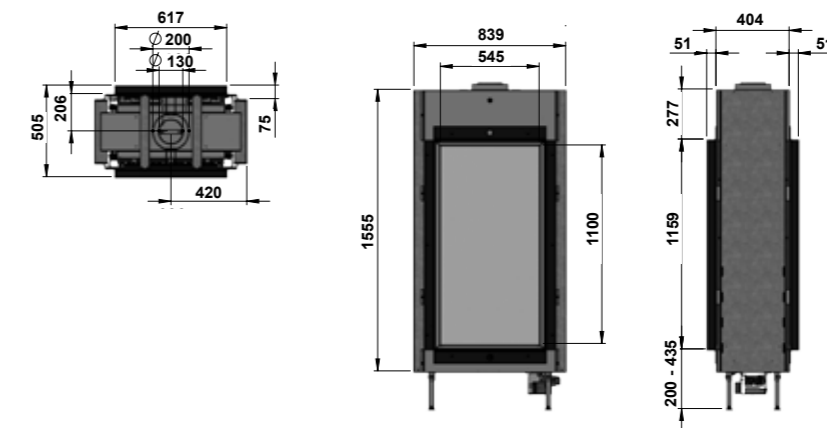


DIMENSIONS

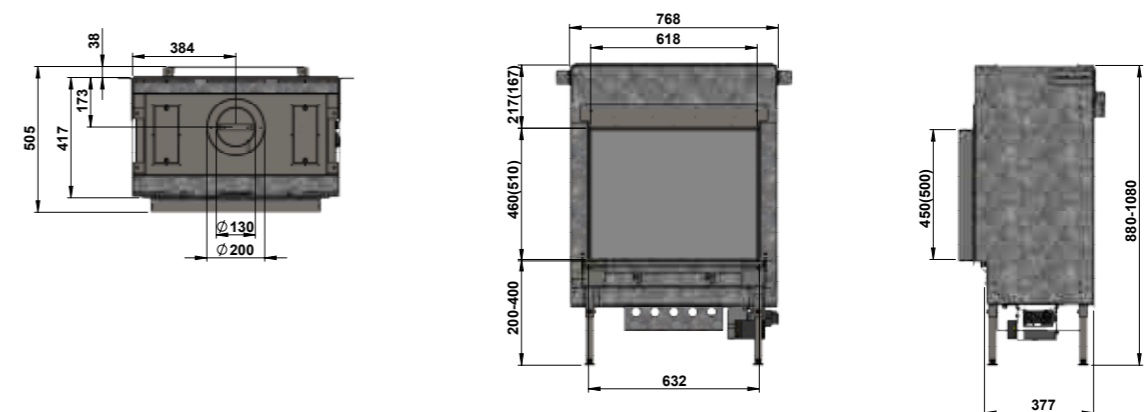
TL55XH



TL55XH TUNNEL

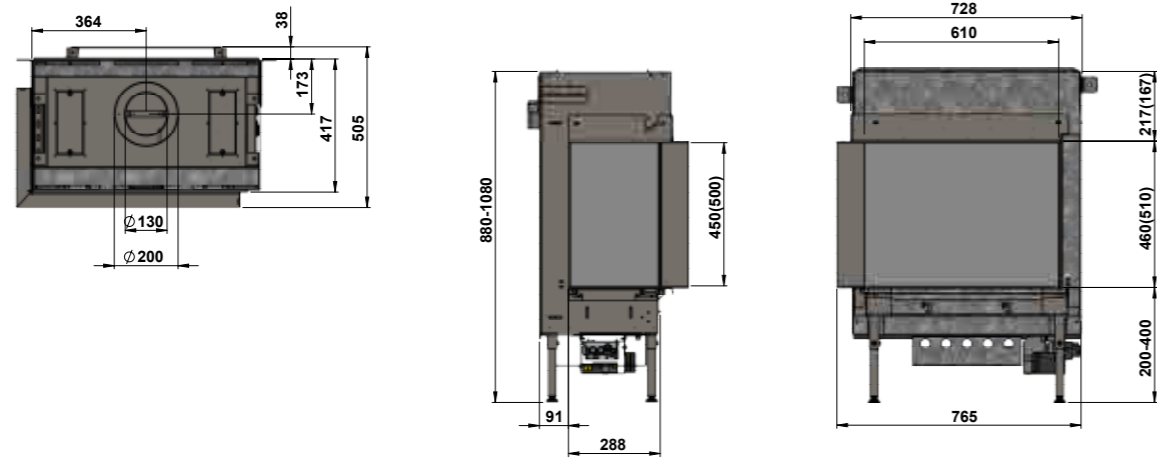


TL64 FRONT

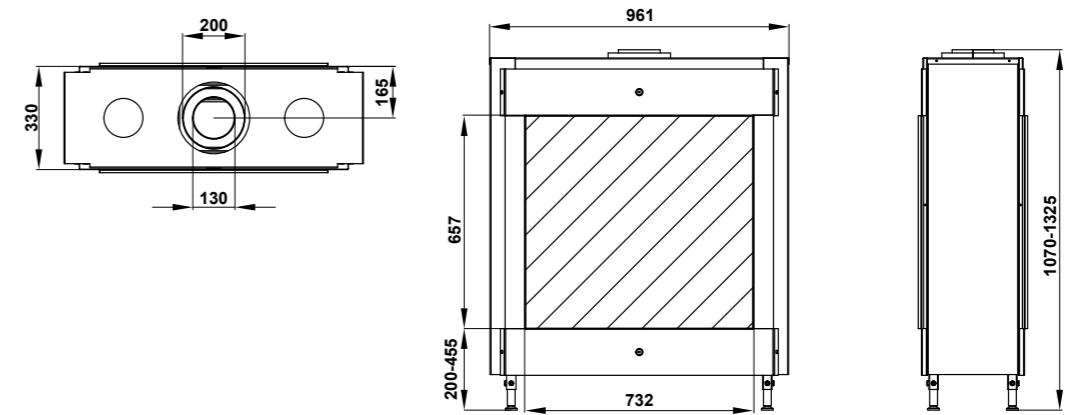


DIMENSIONS

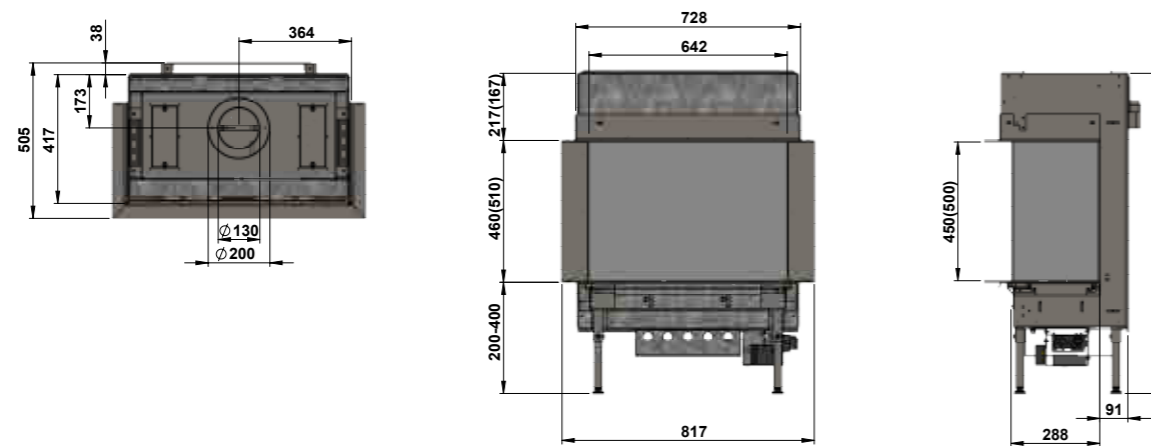
TL64 CORNER



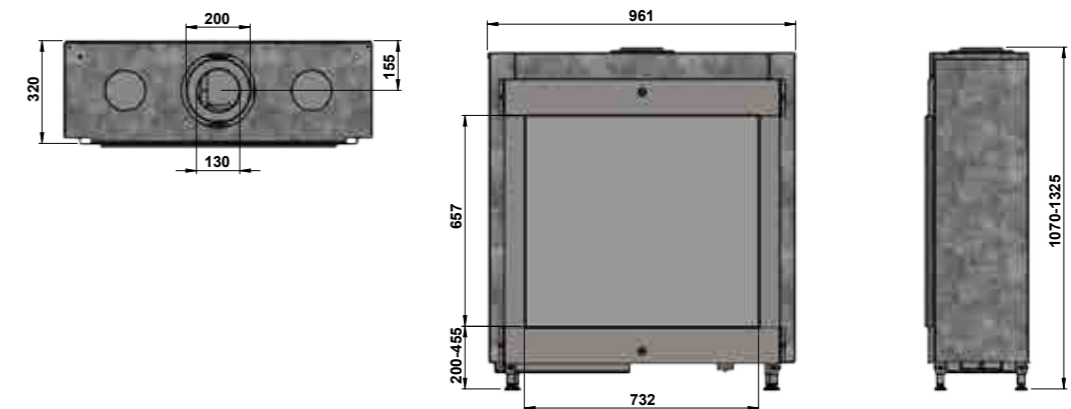
TL73H TUNNEL



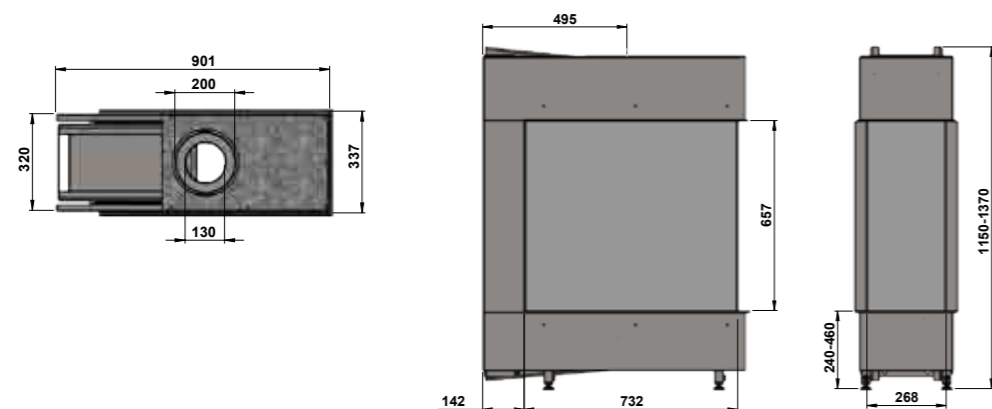
TL64 PANORAMIC



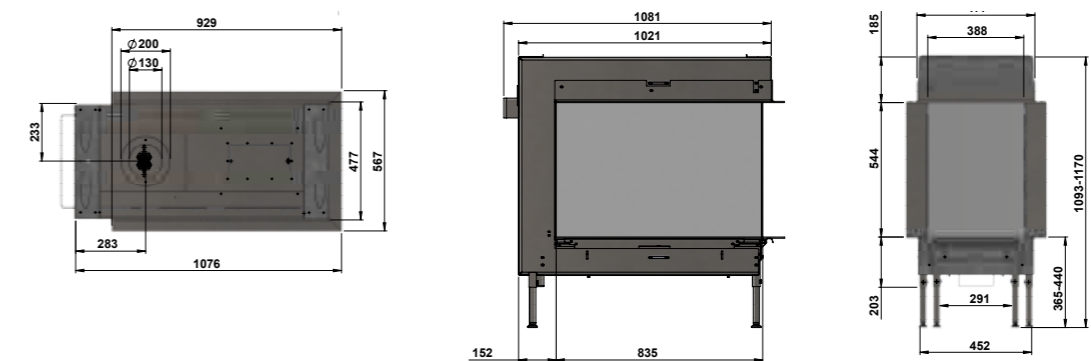
TL73H FRONT



TL73 ROOM DIVIDER

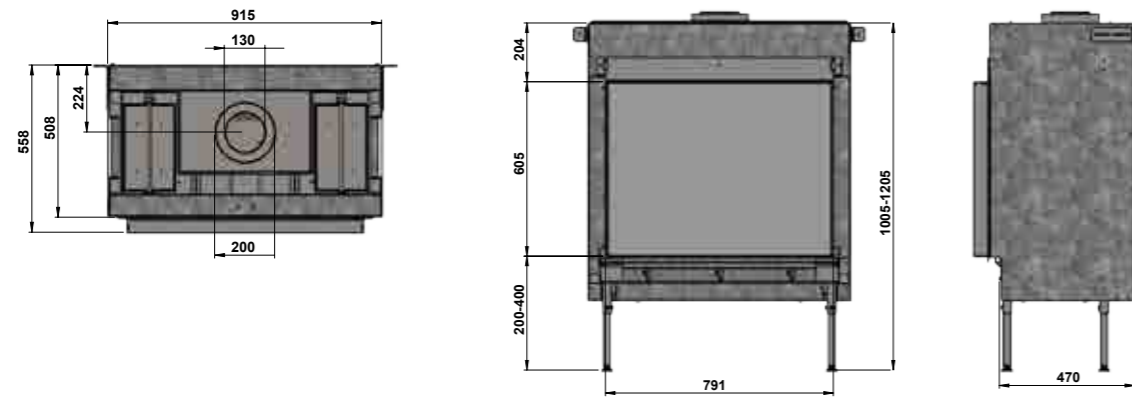


TL83 ROOM DIVIDER

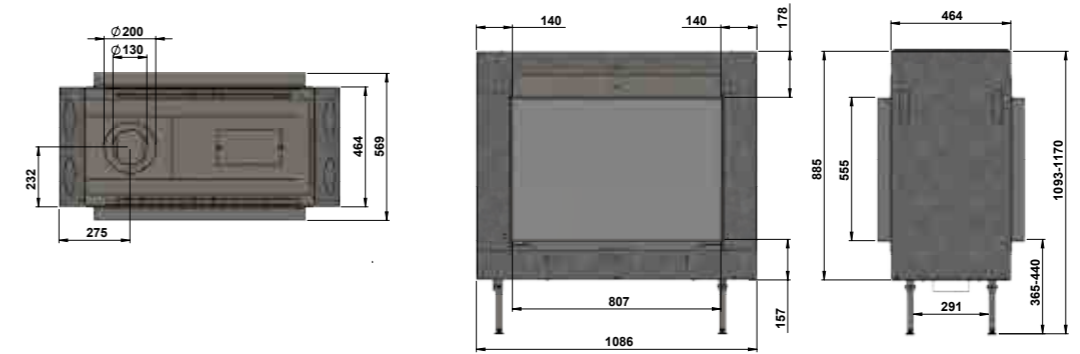


DIMENSIONS

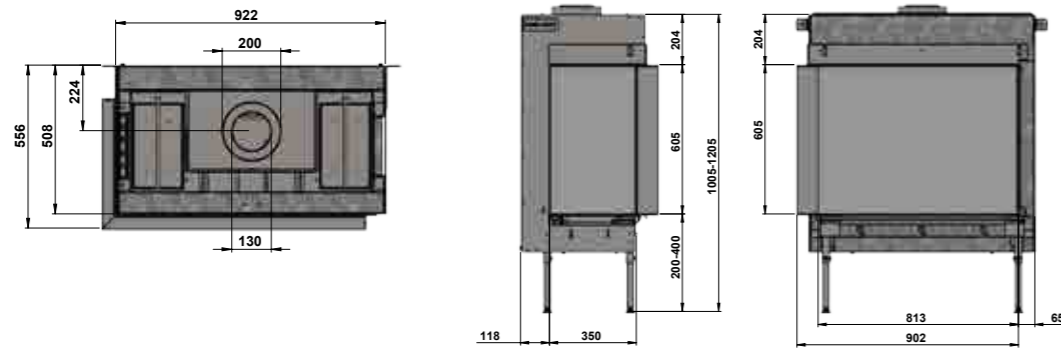
TL83 FRONT



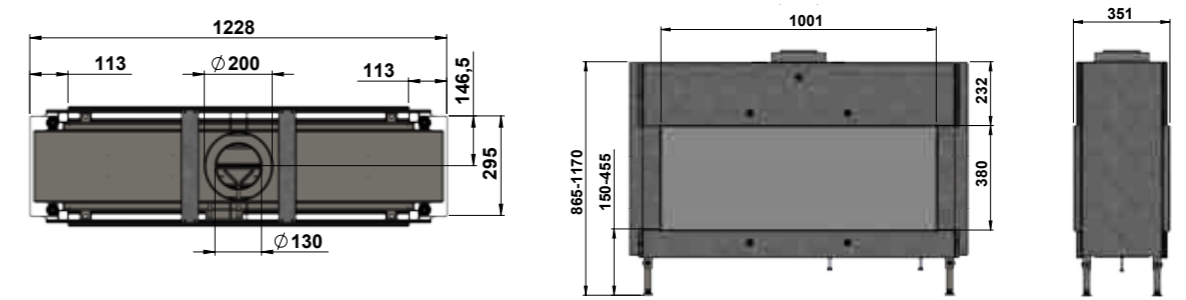
TL83 TUNNEL



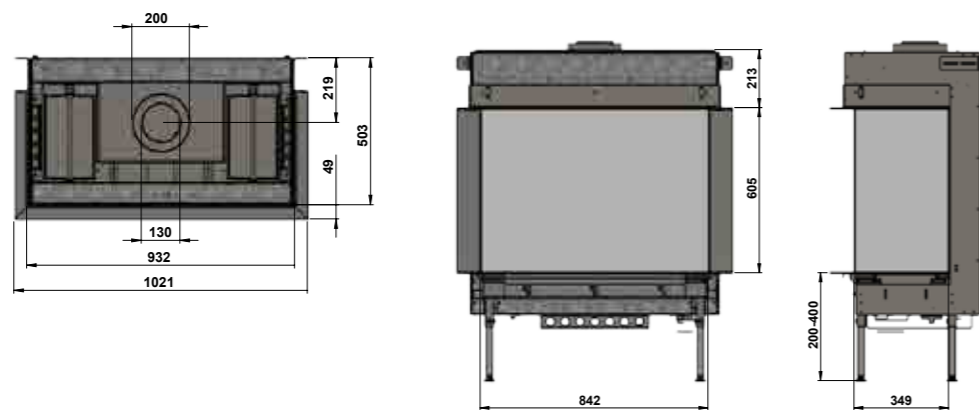
TL83 CORNER



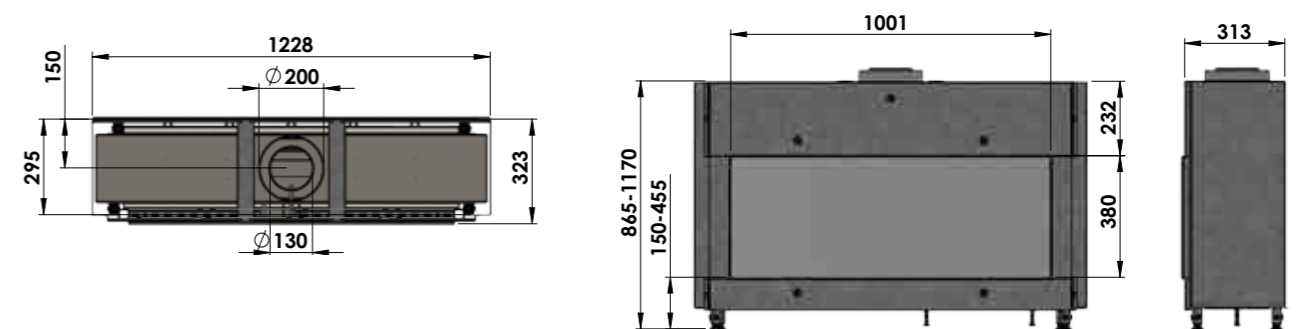
TL100 TUNNEL



TL83 PANORAMIC

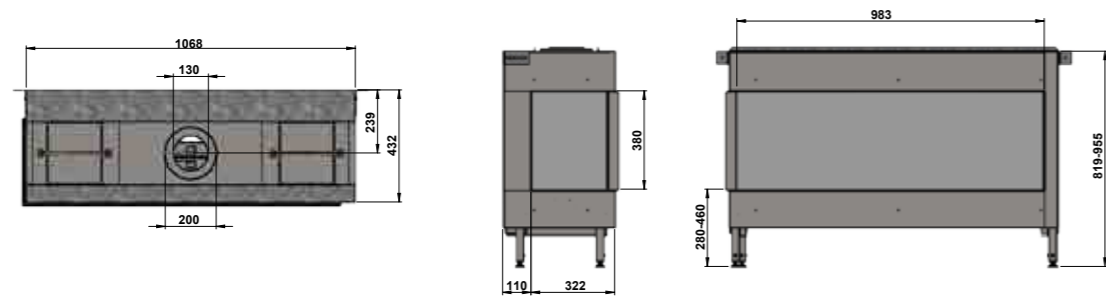


TL100 FRONT

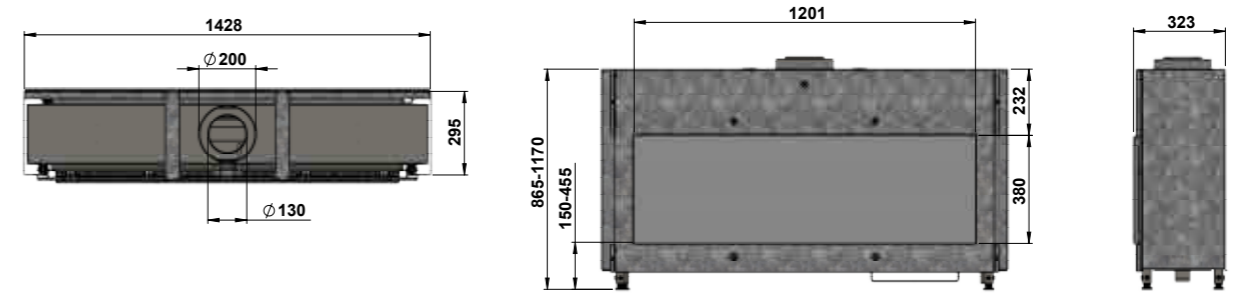


DIMENSIONS

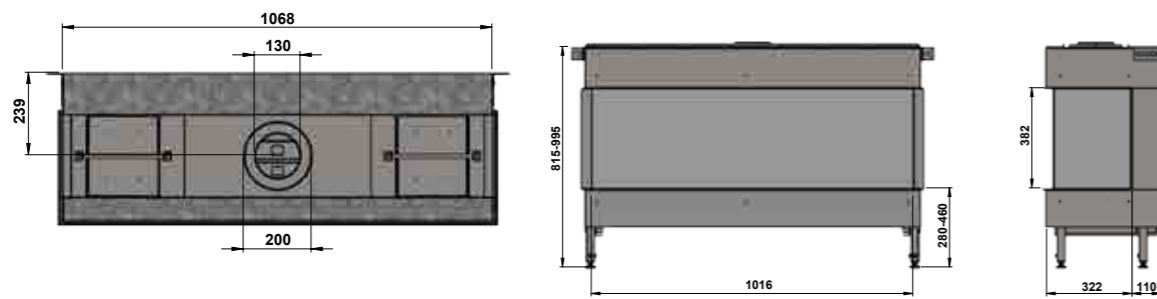
TL100 CORNER



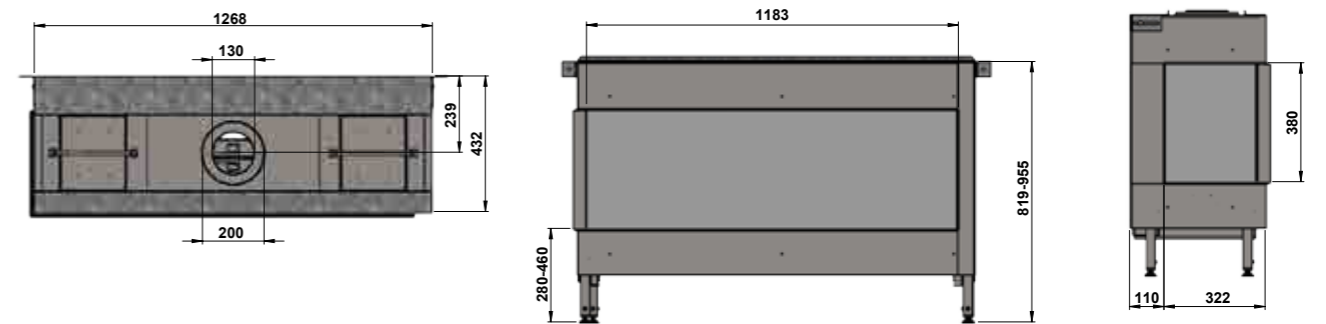
TL120 FRONT



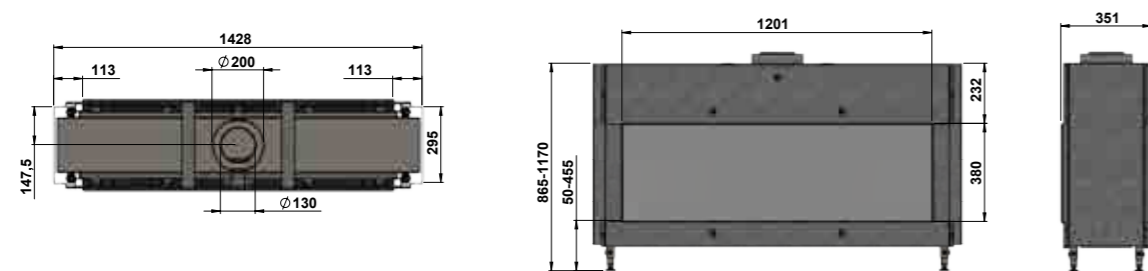
TL100 PANORAMIC



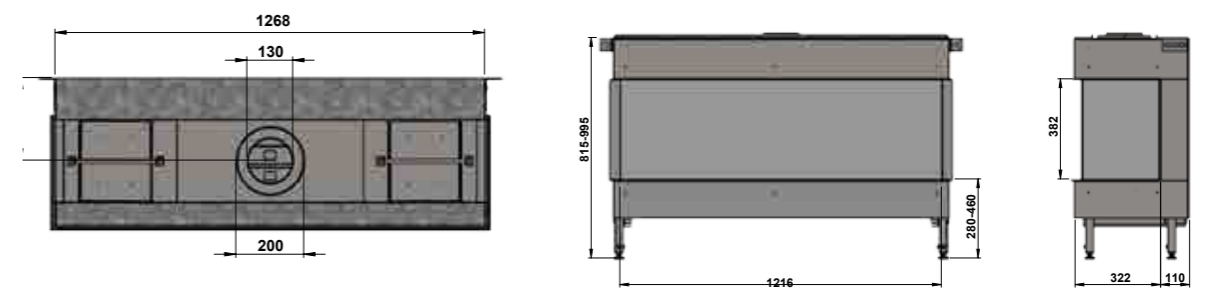
TL120 CORNER



TL120 TUNNEL

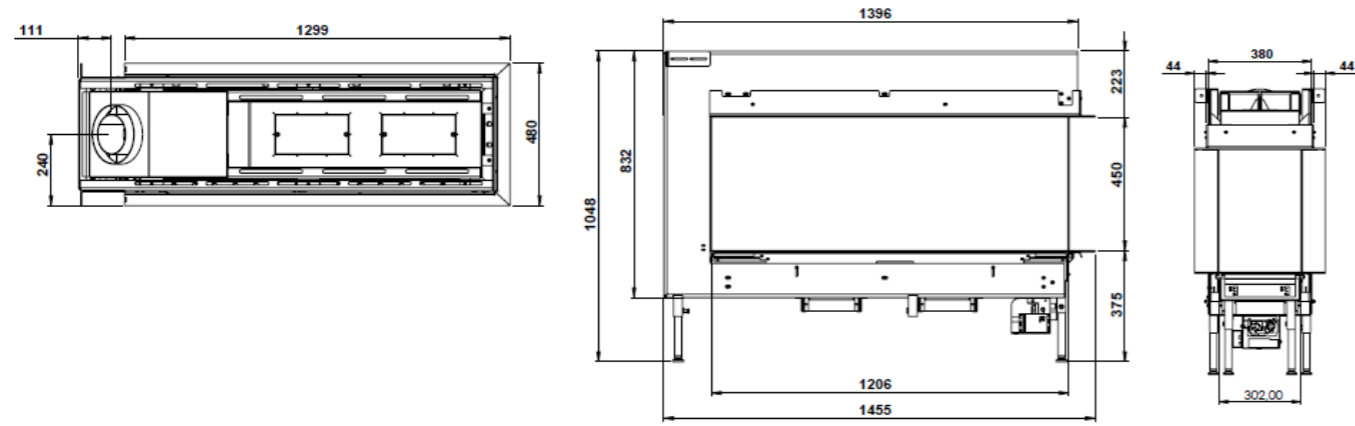


TL120 PANORAMIC

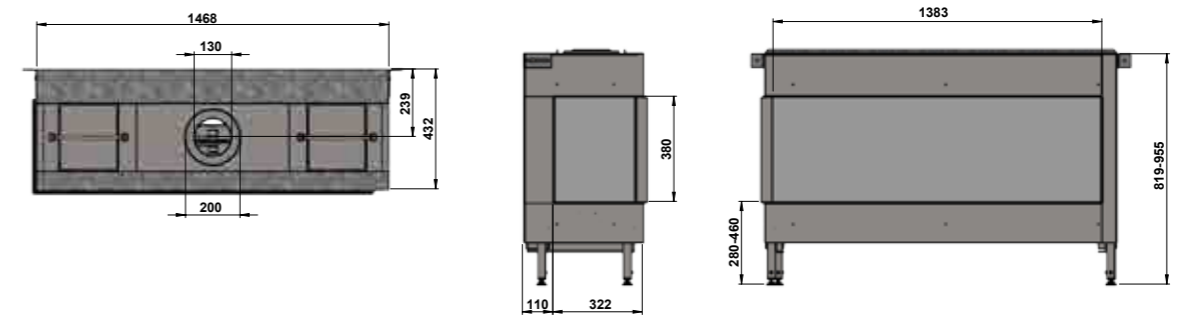


DIMENSIONS

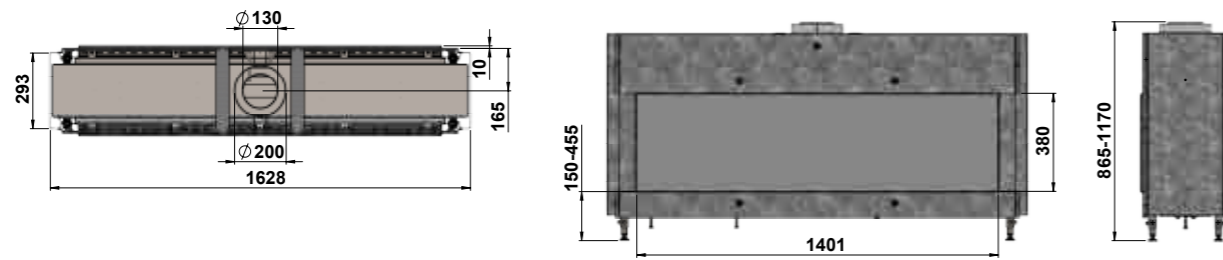
TL120 ROOM DIVIDER



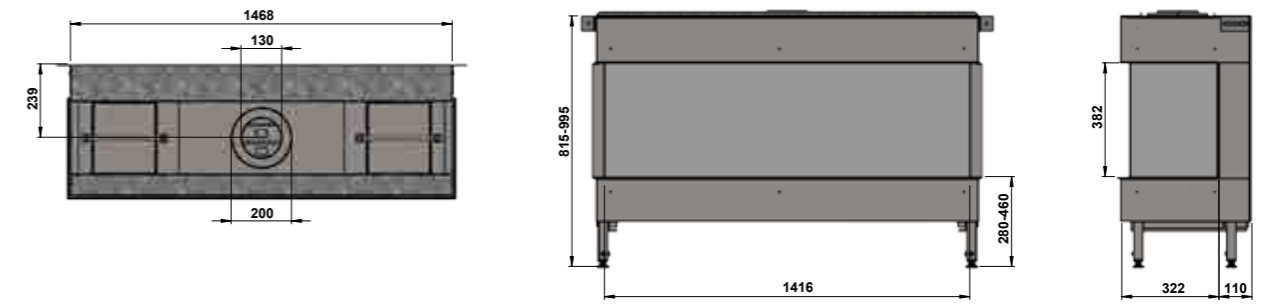
TL140 CORNER



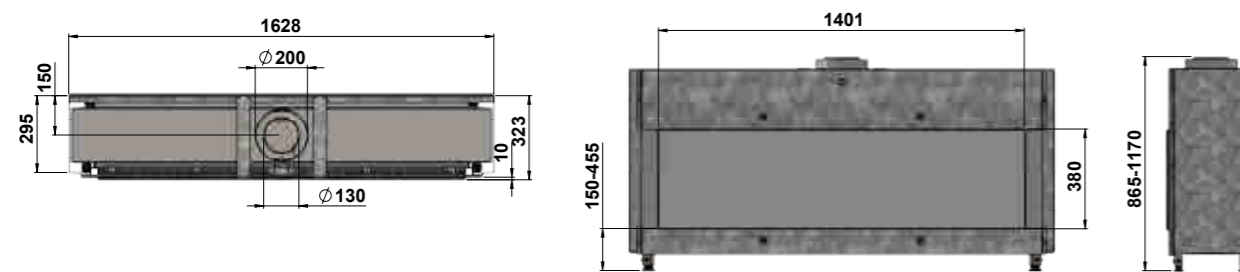
TL140 TUNNEL



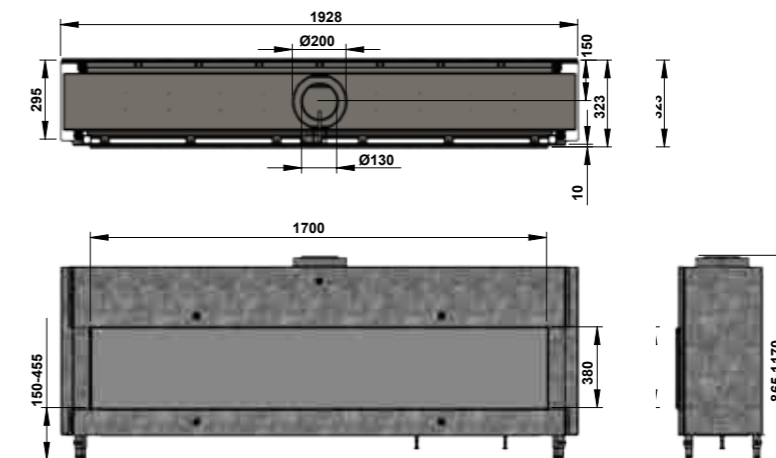
TL140 PANORAMIC



TL140 FRONT

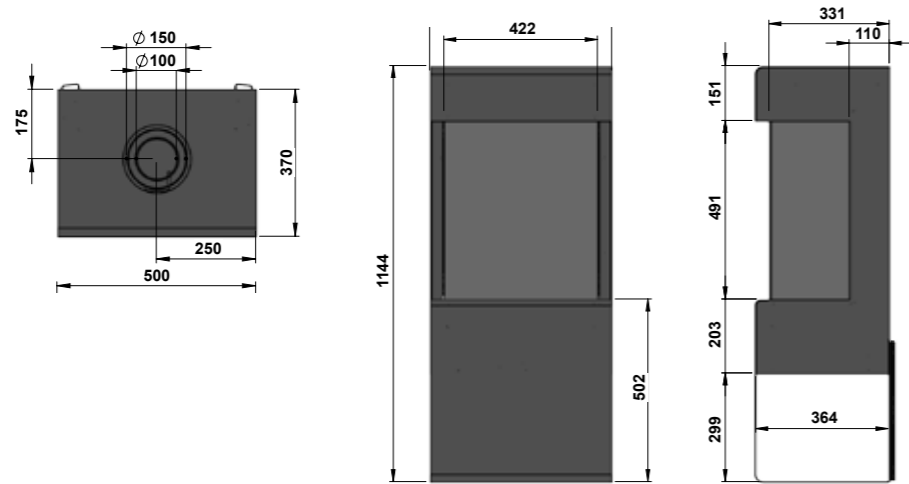


TL170H

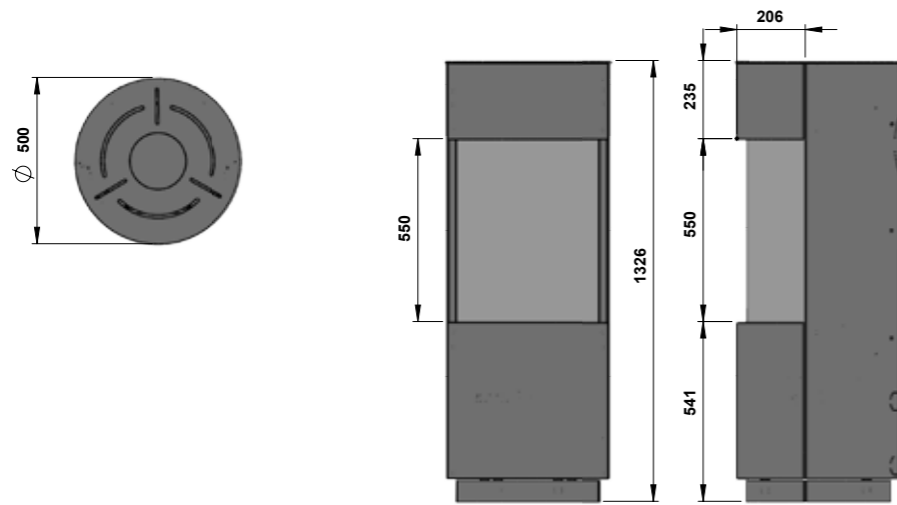


DIMENSIONS

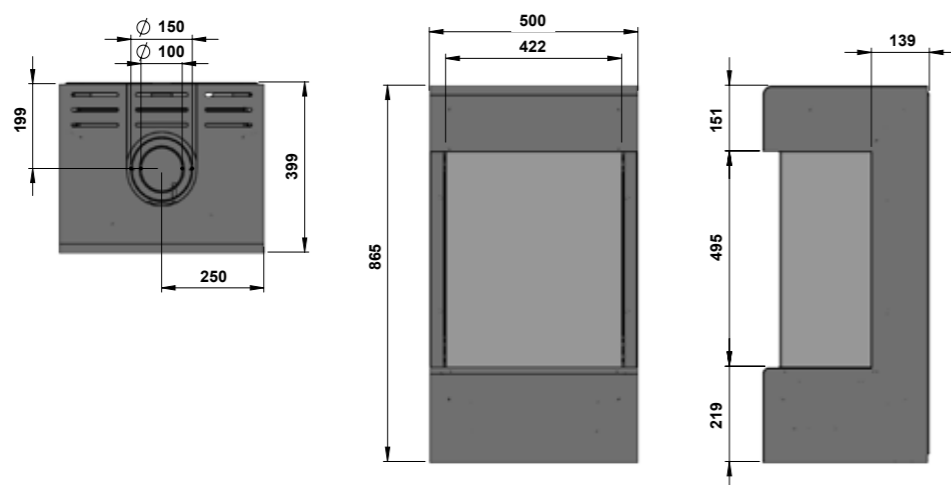
TRIMLINE TOURMALINE



TRIMLINE OPAL



TRIMLINE TOPAZ







www.visionfires.co.uk

01204 868 550

@visionfires.co.uk