



ZENITH SUITE



INSTALLER'S GUIDE

www.visionfires.co.uk

IMPORTANT: This installation guide is to ensure that the fireplace is fitted safely and securely. Please ensure that you read through all instructions within carefully and retain for future reference. This product is heavy: improper installation may result in serious injury and damage to the fireplace or property.

IMPORTANT INFORMATION

IMPORTANT: Read all instructions carefully before beginning installation.

- It is essential that fireplaces are fitted by an experienced installer using the supplied brackets **and** a suitable adhesive. **Do not rely on adhesive alone to secure this product to the wall.**
- Any electric work must be carried out by a suitably qualified person.
- This fireplace must be installed in a suitable environment against a solid wall or structure, never against a non-structural wall such as a lightweight metal stud wall or moveable partitions etc.
- Ensure that the wall and floor have sufficient load bearing capabilities.
- Never sit, stand, lean or climb on the fireplace. Children must never be allowed to play on the fireplace and should be discouraged from playing near it.
- Do not place heavy loads on the fireplace shelf.

HANDLING AND UNPACKING

WARNING: Sintered stone fireplaces are heavy and should not be lifted alone. If necessary, seek assistance when moving any of the components.

- Ensure that correct safety attire is worn.
- Ensure that the packaging is the right way up before opening.
- Never use a blade to remove packaging from components.
- Check that the installation area is clear and free of debris.
- Lay components onto carpet or other soft floor covering.
- Care should be taken when lifting components that may be 'nested' within the packaging. This usually applies to fireplace leg assemblies.
- Ensure that all parts are present and are free from damage.
- Do not dispose of packaging until the installation is complete.

INSTALLATION

IMPORTANT: The correct type of adhesive must be used and applied in the correct manner. Usage of proprietary cements, adhesives, grouts and bedding materials must conform to the manufacturer's guidelines.

In this instance, for joints between component/component and joints between component and the surrounding structures, **high strength, neutral coloured limestone or tile cement** should be used. Coloured adhesives such as Carlite bonding should not be used as this will show through the material and cause permanent staining.

- Ensure that all components are cleaned and prepared for the adhesive as per the manufacturer's instructions.
- Do not bond to wallpapered or painted surfaces.

MECHANICAL/BACKET FIXING

It is essential that the fireplace is installed using the supplied brackets **and** a suitable adhesive. **Do not rely on adhesive alone to secure this product to the wall.**

Drill and plug the wall with **appropriate fixings** suitable for the wall type and secure the component in place (using adhesive also as described above).

CARE AND MAINTENANCE

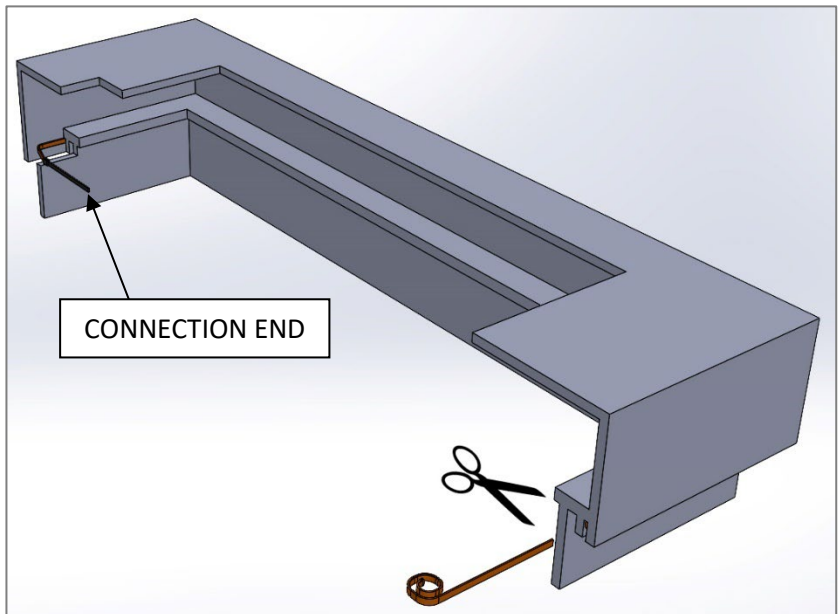
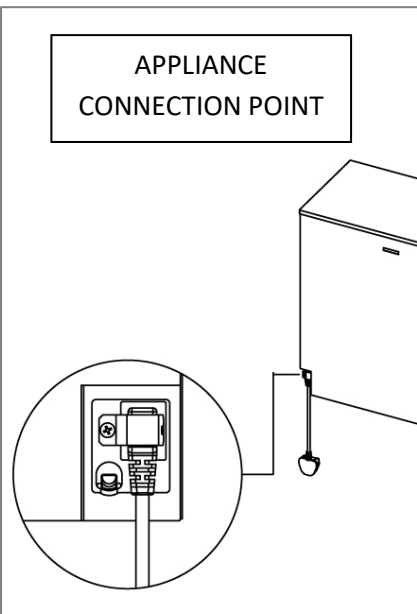
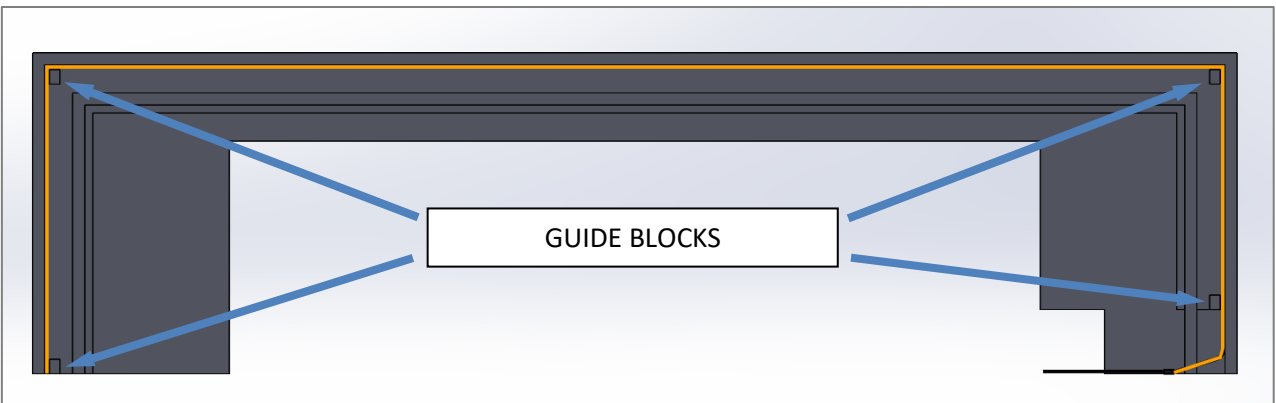
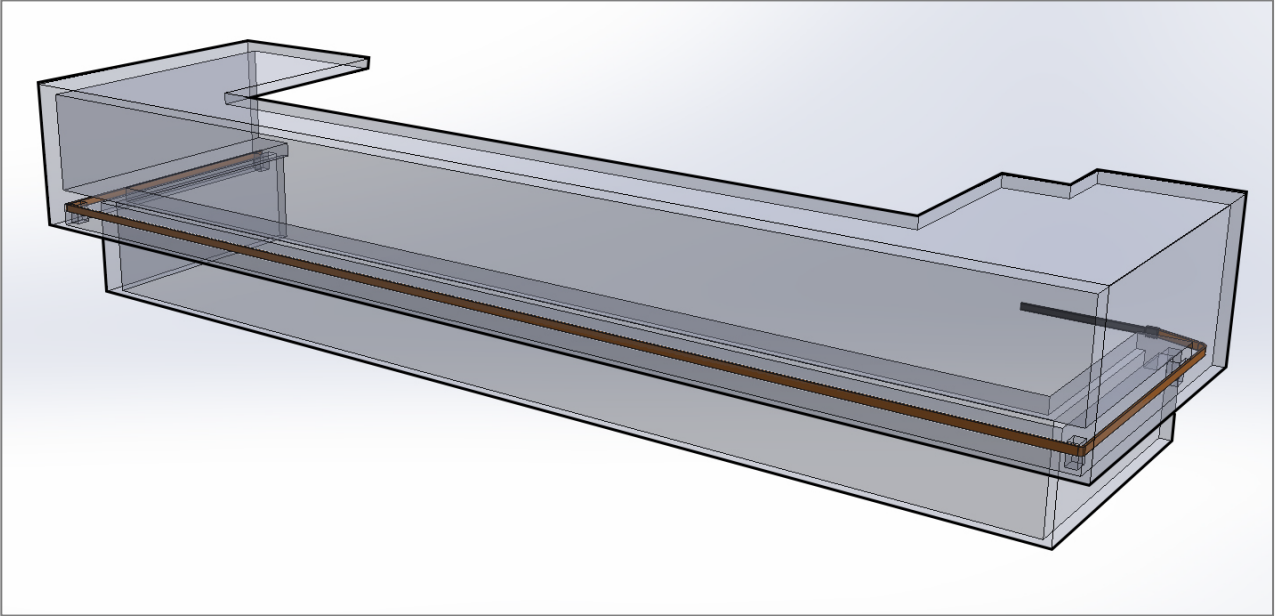
Sintered stone requires very little maintenance. Simply wipe the surface with a non-abrasive sponge and warm water on a regular basis to maintain its beauty and shine for years to come.

Your fireplace should be protected from staining. In the event of an accident, soak up any spillages immediately. Scrub with a Scotch Brite pad and rinse with warm water.

Before cleaning, turn off the fire and allow to cool beforehand. Dust down regularly with a soft, clean brush and occasionally wipe over with a damp cloth.

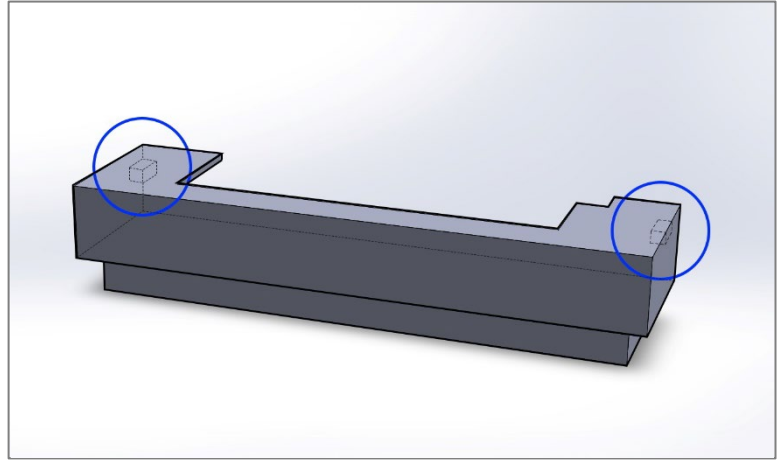
Step 1

Fit the Solus Ambient Lighting Kit to the underside of the plinth component. You may find it easier to turn the plinth upside down to do this. Ensuring that you leave enough length to secure a connection to the appliance (the connection point for the lighting kit is located next the power connection port on the Solus appliance), peel the backing from the strip to reveal the adhesive backing and stick to the inside face of the plinth. It is important to ensure there is no dust or debris on the surface that you will stick the LED strip to. When positioning the LED strip, run it behind the guide blocks as shown below. Trim the lighting kit to the appropriate length, ensuring you cut the strip at one of the correct, indicated section within the strip.



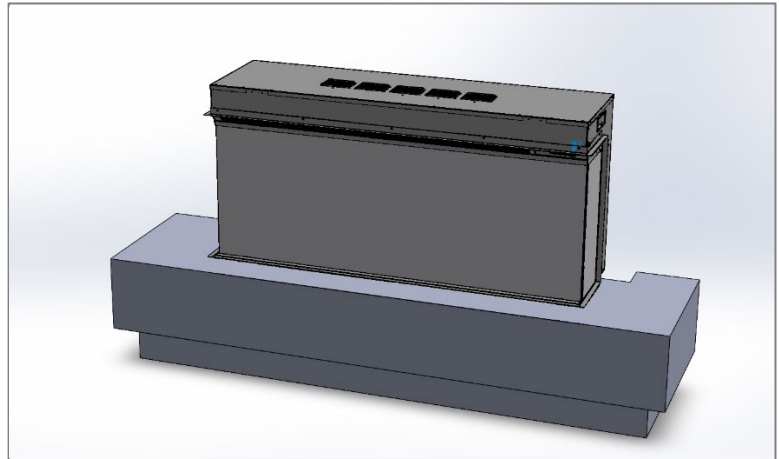
Step 2

Offer the plinth into position against the wall and ensure it is central and level. Working through the fire opening on top of the plinth, locate the blocks inside used for securing to the wall with the supplied 'Z' brackets. Mark the position on the wall and then secure using fixings that are suitable for the wall type.



Step 3

Position the fire onto the plinth. Ensure that the power cable is attached and connected to a power supply. Ensure that the Ambient Lighting Kit is connected to the fire. Ensure that the fire is set up for Panoramic mode with the correct side trims attached. Refer to the appliance manual for further details. It is advised to check full operation of the fire at this point.



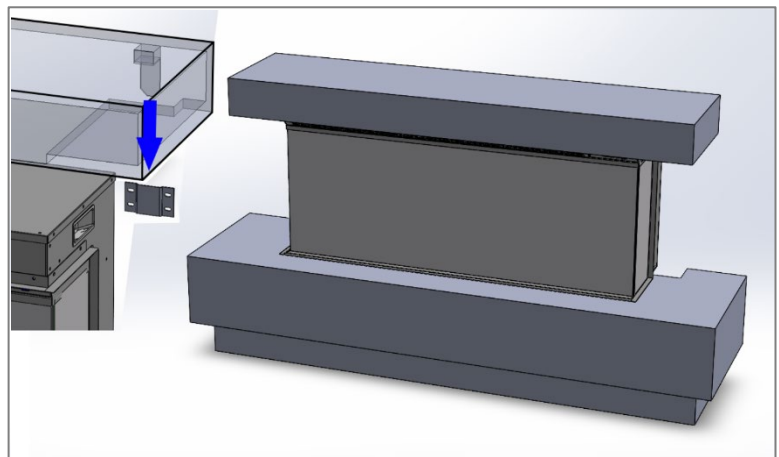
Step 4

Temporarily position the top assembly on to the top of the fire, taking note of the positions of the securing brackets on the underside of the top assembly. Mark the position of the securing brackets onto the wall and remove the top section.



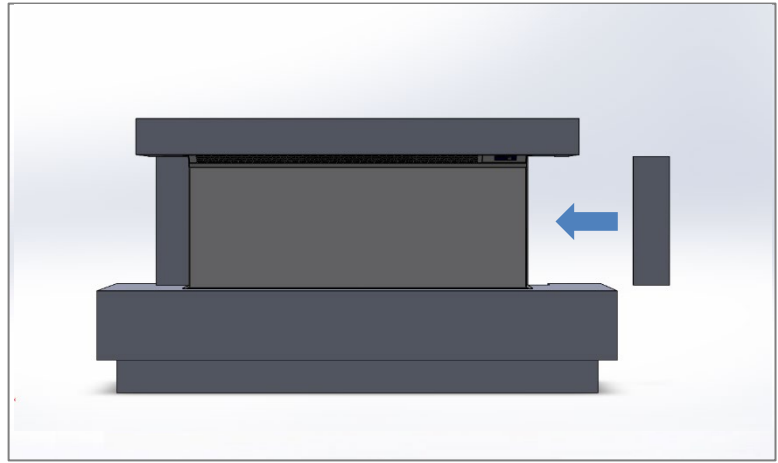
Step 5

Using appropriate fixings suitable for the wall type, secure the two mounting brackets to the wall so that they will accept the securing brackets when the top assembly is re-positioned. Apply a suitable adhesive and carefully re-position the top assembly, ensuring the brackets have located correctly and are securing the top assembly to the wall.



Step 6

Position the left and right side pieces to both sides of the fire and secure to the wall using a suitable adhesive. Ensure the adhesive achieves a bond between the side piece, the plinth, the wall and the top section. Any gaps between the joints may be filled with a suitably coloured decorator's caulk.



VISION
e-line | SOLUS

www.visionfires.co.uk