



VISION  
e-line

2019 - 2020 EDITION



THE NEXT GENERATION OF **ELECTRIC FIRES.**



# CONTENTS.

WELCOME

6

FEATURES

7

VEL75

INSET  
PANORAMIC  
CORNER

8

8  
9  
10

VEL90

INSET  
PANORAMIC  
CORNER

11

11  
12  
13

VEL140

INSET  
PANORAMIC  
CORNER

14

14  
15  
16

MODULAR OPTIONS

18



## FEATURES

The Vision E-Line Collection is built on over 65 years of experience in the fireplace industry, using traditional skills and modern methods to create unique, high quality stylish and functional products.

View all the features on **page 7.**



## APPLIANCES.

Our stunning appliances comes as panoramic as standard but can be transformed to corner or front facing appliance with the clever use of a conversion kit, included at no extra cost making it one of the most versatile fires available.

View the full range from **page 8.**



## HIGH DEFINITION LOGS.

Ultra realistic high definition logs available as standard across the entire range.



## MODULAR OPTIONS.

Our new modular components allow elements from across the range to be mixed and matched to create a truly bespoke design.

View the full range from **page 18.**

## FLOATING PLINTHS

View our collection of floating plinths including the Omnia and Veritas in a variety of finishes.

View the full range from **page 26**.



## DECORATIVE TRIMS

Our decorative trims are designed to complement our complete range. They are perfect for adding that extra touch of luxury to your appliance.



## SHELVES

Our Semper shelf, simple in design will add a touch of elegance to any room setting.

View the Semper range from **page 30**.



## BENCHES

We offer a superb range of benches to compliment our 90 and 140 appliances.

View the full range from **page 20**.

## 20

CALCATA  
TEMPUS  
OREBRO  
MALMO  
SOLNA  
TEMPUS

## BENCHES

20  
21  
22  
23  
24  
25

## 26

OMNIA OAK  
OMNIA WHITE  
VERITAS GRANITE  
VERITAS AGEAN

## FLOATING PLINTHS

26  
27  
28  
29

## 30

SEMPER 140  
SEMPER 90

## SHELVES

30  
31

## 32

## FABRICATED CHIMNEY

## 34

## PRODUCT DIMENSIONS

# WELCOME.

The Vision E-Line Collection is built on over 65 years of experience in the fireplace industry, using traditional skills and modern methods to create unique, high quality stylish and functional products.

Our inspirational range of free standing, inset and modular fireplaces is the ultimate home investment. They will transform your home into a luxurious environment, perfectly tailored to your needs and created to reflect your own unique style.

Our new modular components allow elements from across the range to be mixed and matched to create a truly bespoke design. Whether you select inset, free standing or modular furniture, with our wide choice of sizes, finishes and colours you are sure to find the perfect look for your home.

Our meticulous attention to detail, high standards and quality craftsmanship mean you can be confident in choosing a Vision E-Line. All appliances are guaranteed for 2 years. Please refer to our website [www.visionfires.co.uk](http://www.visionfires.co.uk) for further details.



# FEATURES.

These exciting appliances can be transformed to a corner, panoramic or front facing appliance with the clever use of a conversion kit - included at no extra cost making it one of the most versatile fires available.

The new collection is available in three sizes; 75, 90 and 140 and has a range of exquisitely designed suites available in a variety of materials designed to suit every interior. The appliance can also be installed with a fabricated chimney to give customers a truly trimless finish, alternatively they can be installed against a flat wall without the need for a chimney or any additional building work when accompanied with a suite.

The fires are ERP compliant and have a heat output range of 0.75Kw – 1.5Kw.

- LED Flame effect
- Wall mountable, supplied with brackets
- Hi definition log set
- Decorative fuel retaining bar
- Modulating LED under and above fuel bed
- Infrared remote control operated
- Fully ERP Compliant
- Thermostatic control option
- Timer operation function



**VEL75 INSET.**







**VEL75 PANORAMIC.**

# VEL75 CORNER.





**VEL90 INSET.**

# VEL90 PANORAMIC.





**VEL90 CORNER.**

**VEL140 INSET.**





**VEL140 PANORAMIC.**

**VEL140 CORNER.**







ULTRA  
REALISTIC  
HIGH  
DEFINITION  
LOGS.

Available as standard across  
the entire range.

# MODULAR OPTIONS.

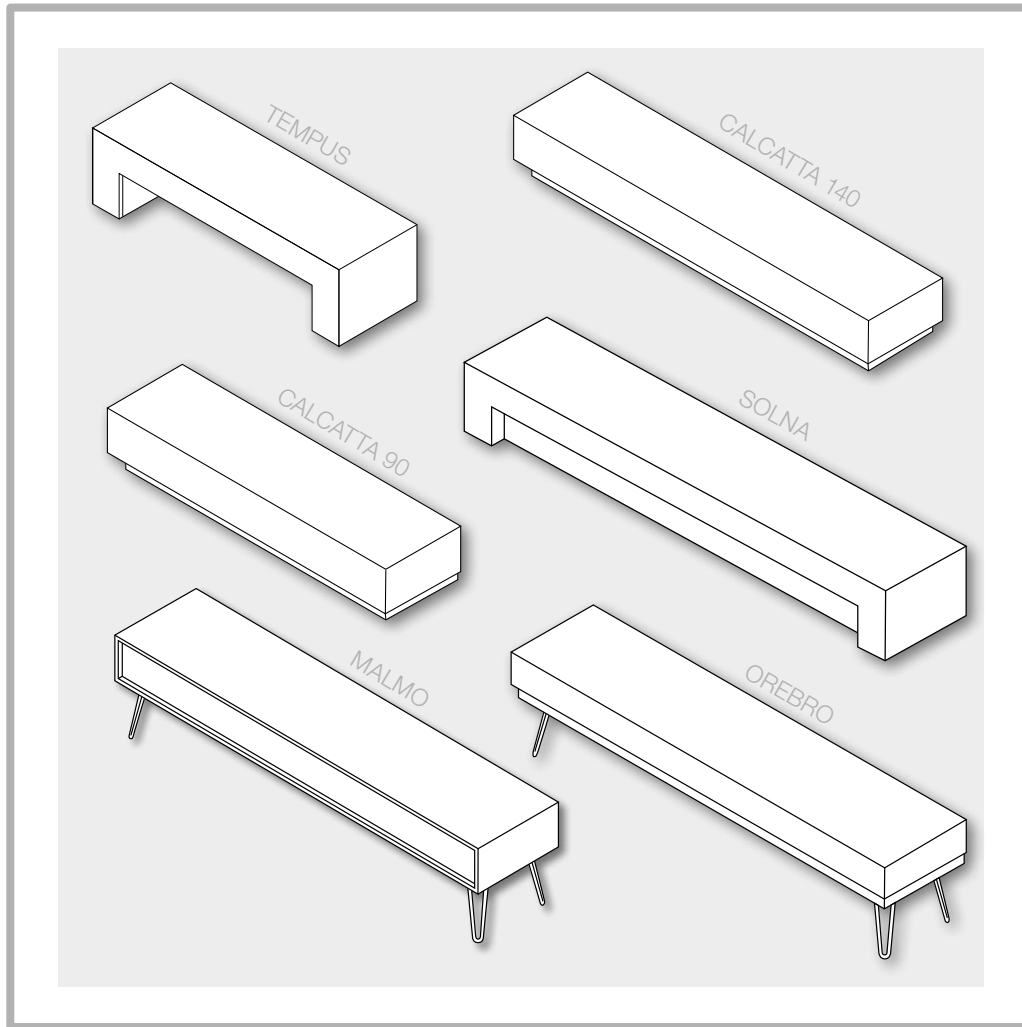
We have created a range of modular wall mounted and floor standing surrounds flawlessly constructed from high-quality materials. From modern to traditional, our fire surrounds are designed to suit a variety of room settings.

The classical crafted lines are a beautiful way to enhance any living space. The highly versatile modular sections allow you to mix and match to suit your requirements.

Design a unique fireplace with this new range offering the ultimate flexible approach by letting you build your fireplace the way you want to, please ask your approved stockists for details.



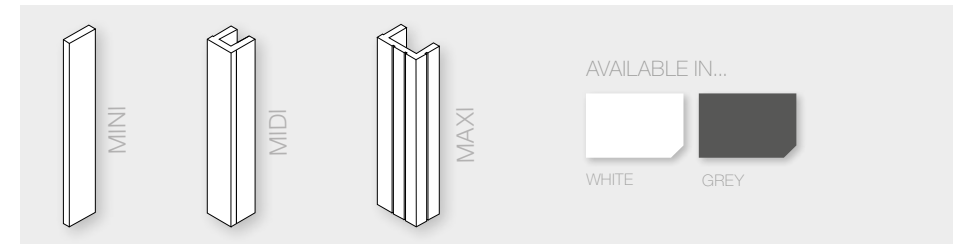
## BENCHES.



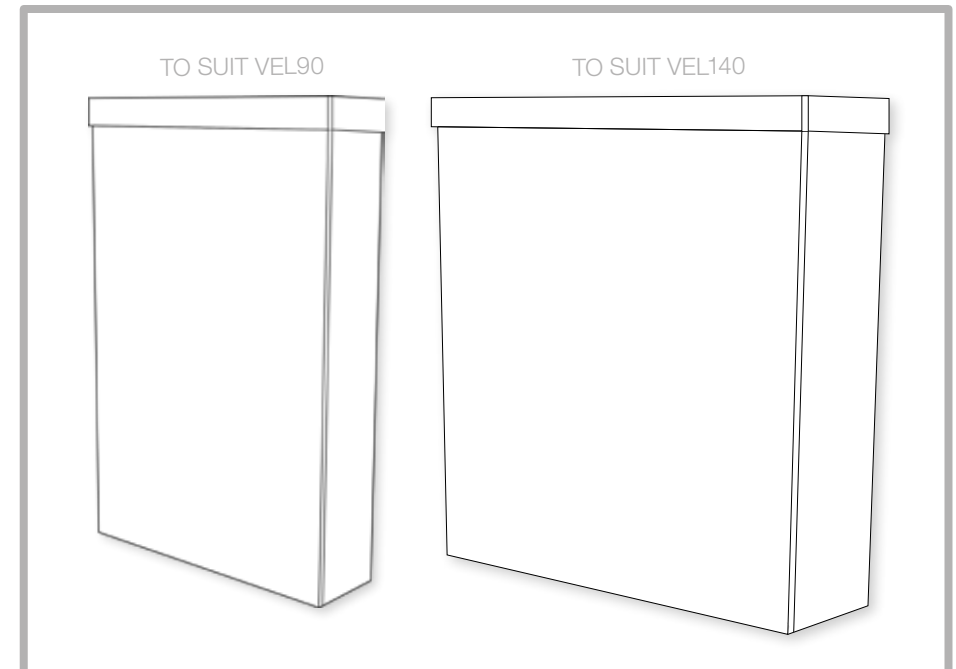
## SHELVES.



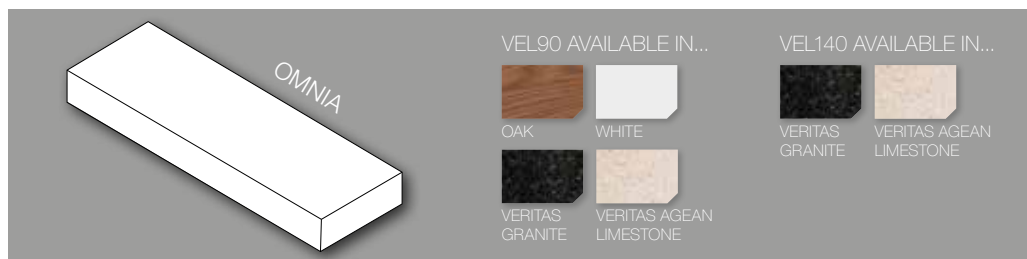
## DECORATIVE TRIMS.



## CHIMNEY BREAST KITS.



## FLOATING PLINTHS.



**MODULAR ELEMENTS.**





**MODULAR ELEMENTS.**

**MODULAR ELEMENTS.**





**MODULAR ELEMENTS.**

MODULAR ELEMENTS.







**MODULAR ELEMENTS.**

**MODULAR ELEMENTS.**





**MODULAR ELEMENTS.**

OMNIA WHITE FLOATING PLINTH SUITS VEL90

| SHOWN WITH BESPOKE CHIMNEY BREAST

| APPLIANCE SHOWN VEL90

MODULAR ELEMENTS.





**MODULAR ELEMENTS.**

# MODULAR ELEMENTS.





**MODULAR ELEMENTS.**



# FABRICATED CHIMNEY BREAST KIT.

Designed exclusively to fit our VEL90 and VEL140 electric fires, our new Chimney Breast Kit offers a quick and simple solution to create a Scandinavian style, floating chimney breast. All you need are some basic DIY skills and a wall! The kit comes complete with ready-to-assemble panels and fixings, along with a handy fitting guide to show you how to install in your home. All parts are produced using state of the art machinery to ensure accuracy and quality, and the build concept has been cleverly designed to make installation as simple as possible.

Manufactured from the highest quality particle board, covered with decorative paper and impregnated with resin, the chimney breast comes ready to install in a satin white finish but if required, can be painted\* to suit your own particular taste.

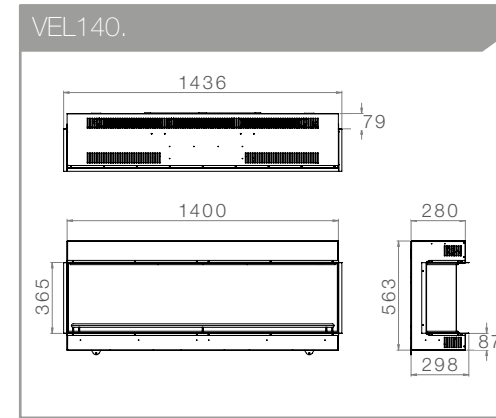
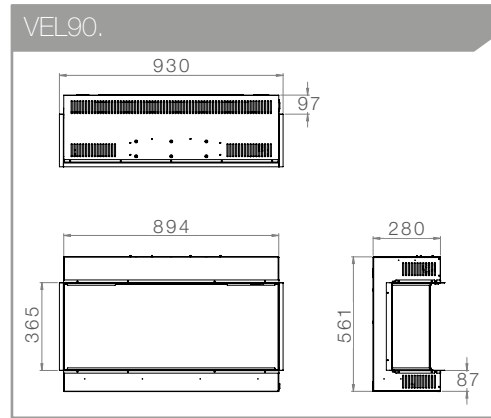
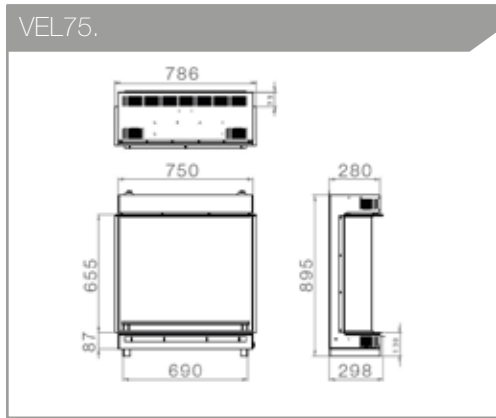
\*Chimney breast kits must be properly primed before a final paint coat is applied, using a suitable primer and following the manufacturer's instructions.



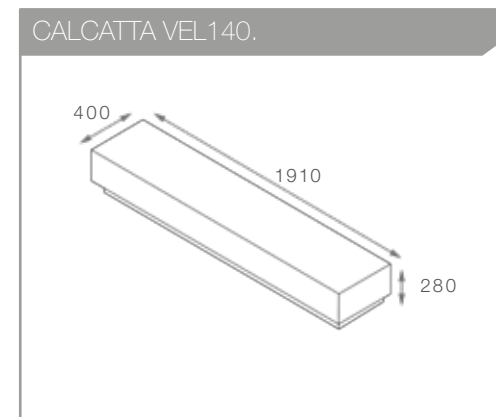
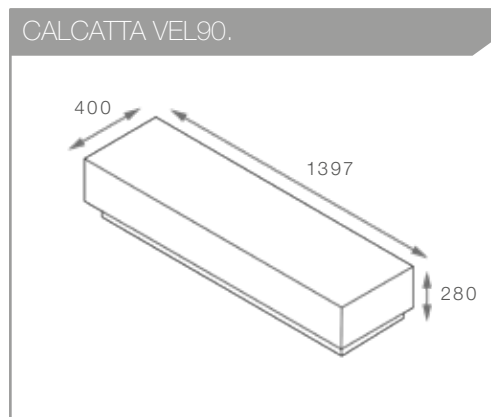
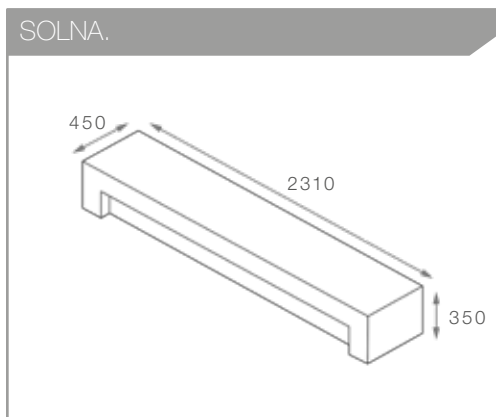
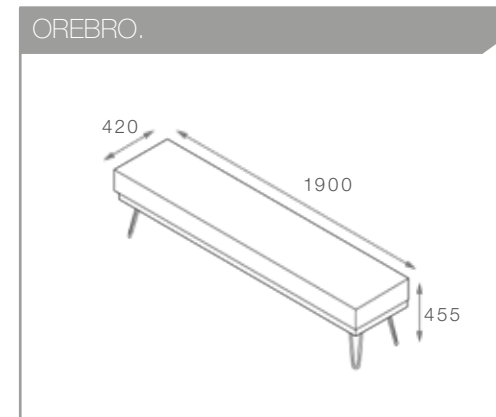
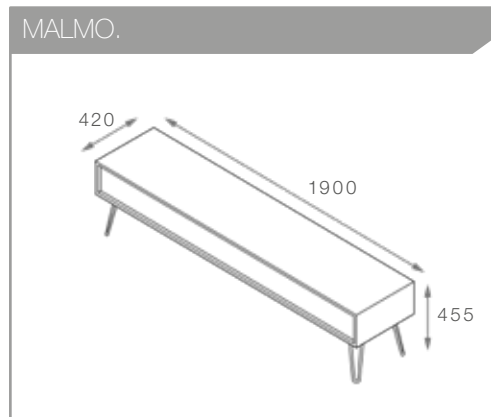
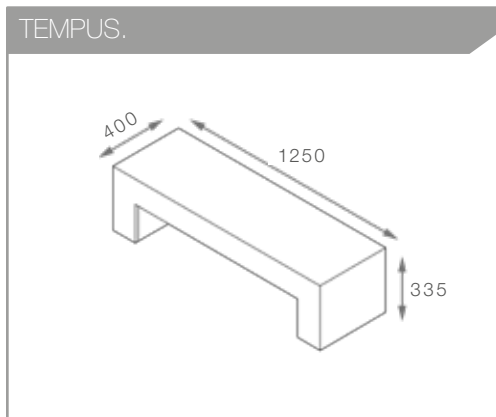


# PRODUCT DIMENSIONS.

APPLIANCES



BENCHES

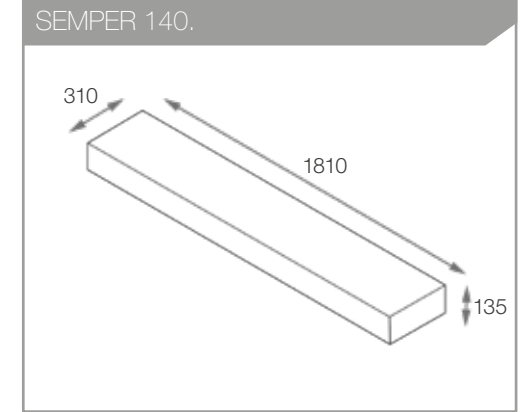
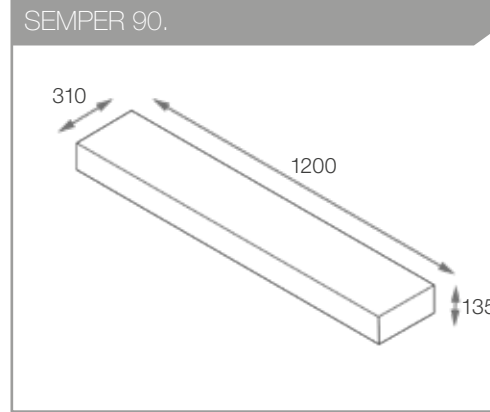


All dimensions are in millimetres.

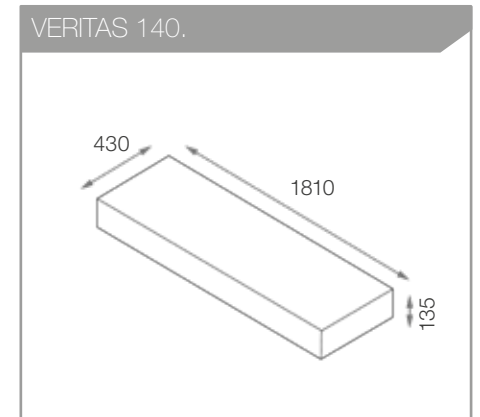
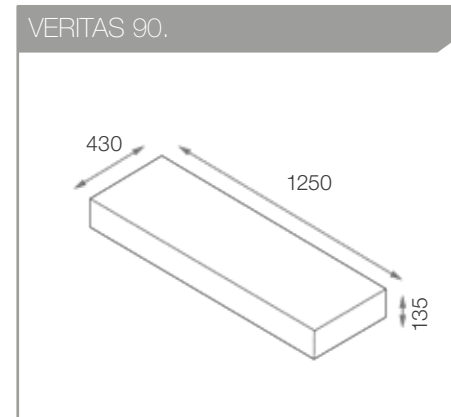
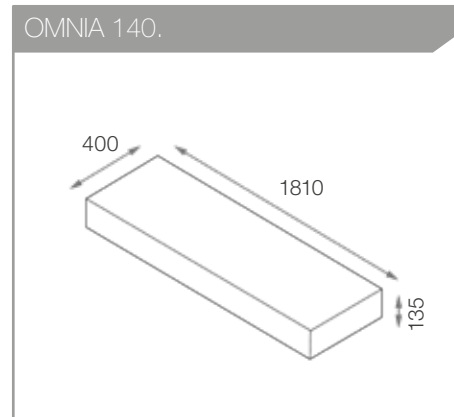
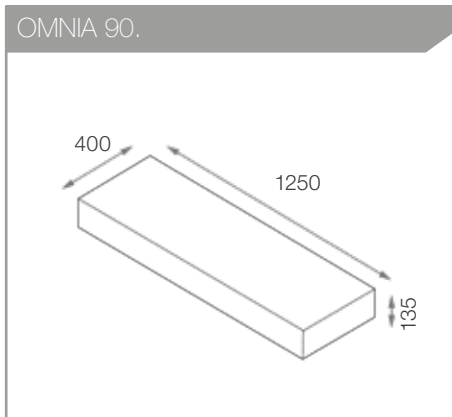
CHIMNEY BREAST KITS



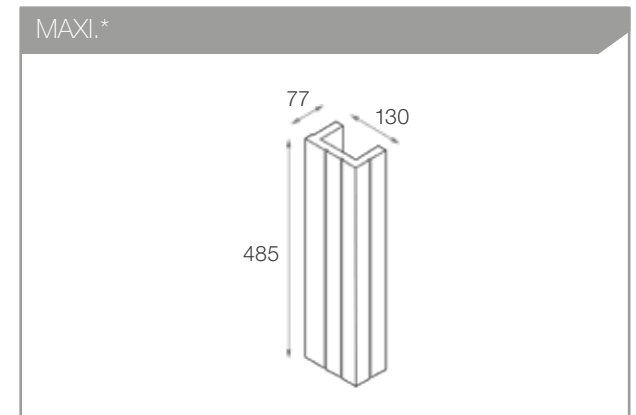
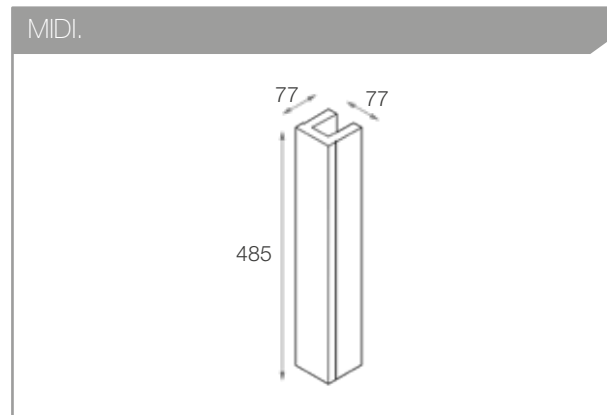
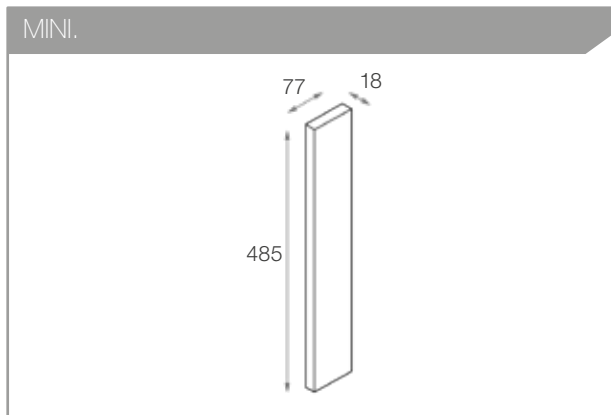
SHELVES



PLINTHS



DECORATIVE TRIMS



\*Not suitable for use on 140 in combination with chimney breast kit

